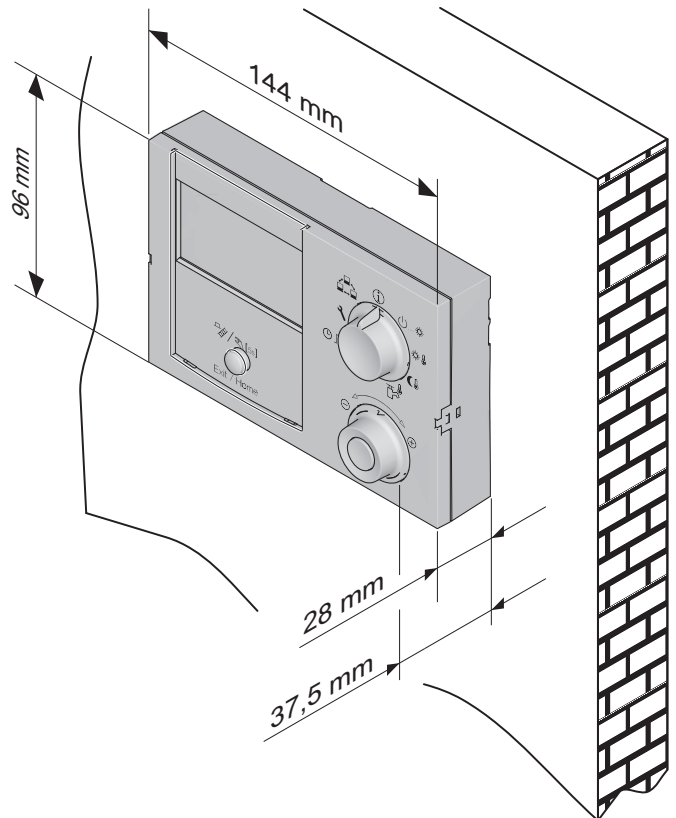
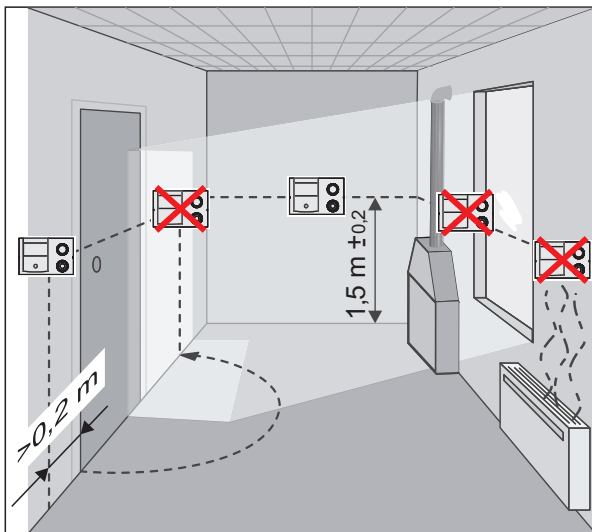


RoCon U1



R	D
15 70 34	EHS157034



Product fiche

Energy labelling Regulation: (EU) 811/2013

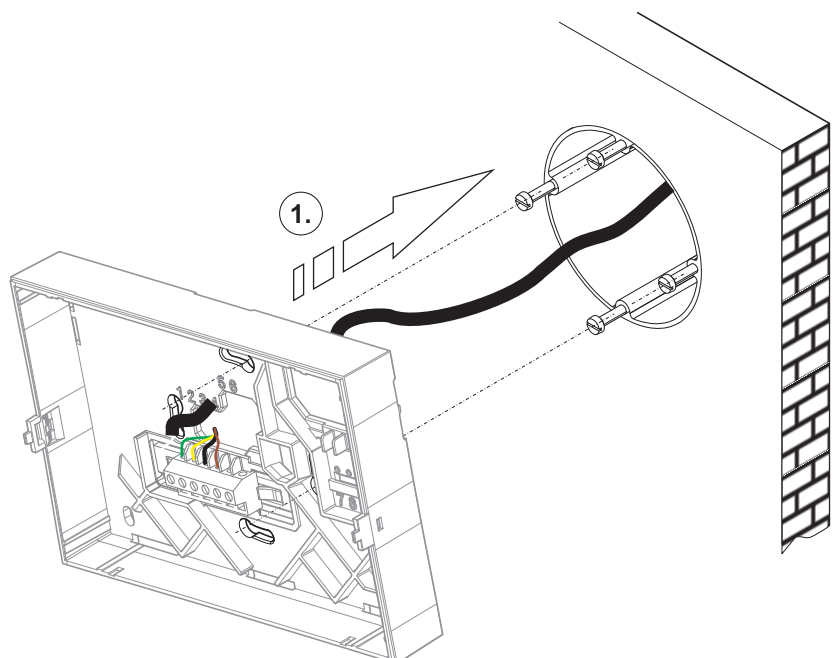
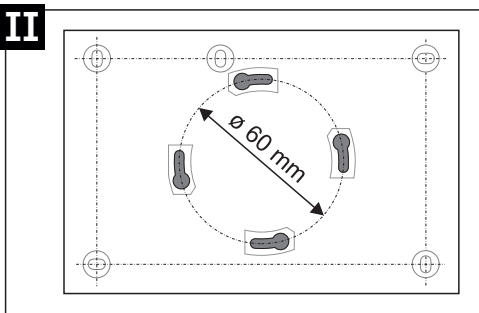
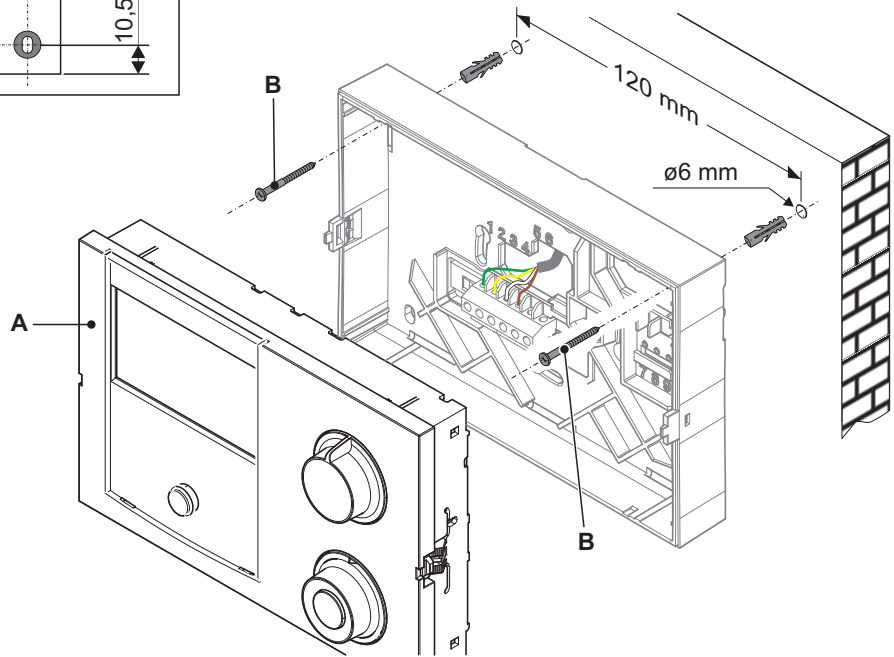
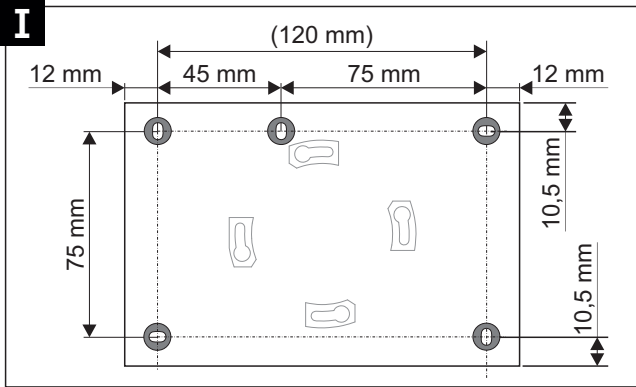
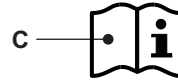
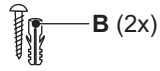
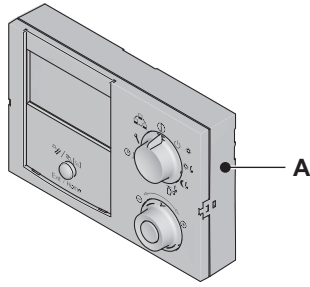
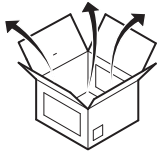
Ecodesign Regulation: (EU) 813/2013

Controller		RoCon U1 / EHS157034
class of temperature control	-	IV
contribution to seasonal space heating efficiency	[%]	2

Details and precautions on installation, maintenance and assembly can be found in the installation and or operation manuals. Energy labels and product fiches for additional combinations, packages and other products can be found on "www.rotex-heating.com" / "energylabel.daikin.eu".
This data is for comparison of Energy efficiencies according to Energy label directive 2010/30/EC, for correct selection of products for your application, contact your dealer. Depending on your application and the product selected an additional supplementary heater may have to be installed.

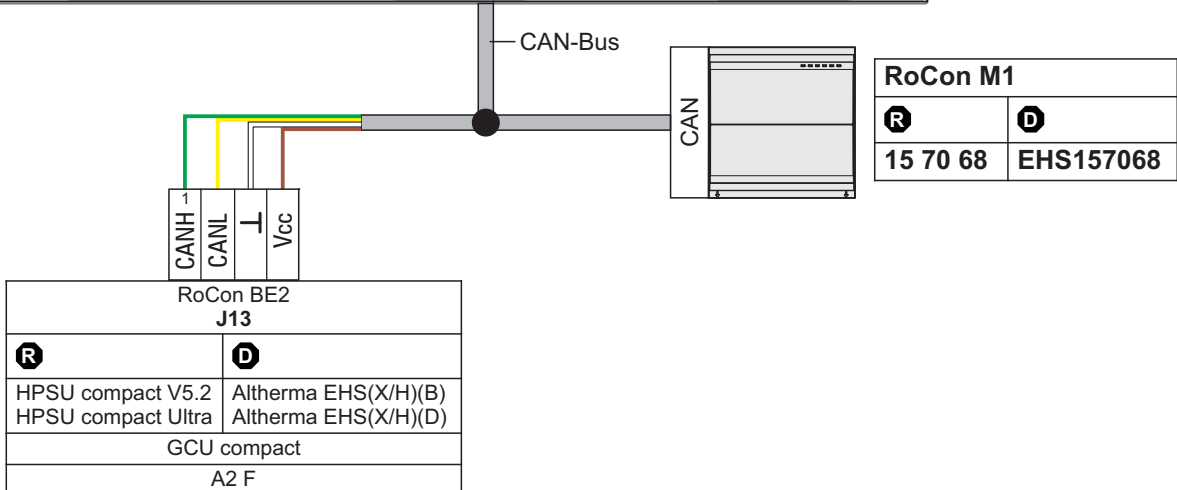
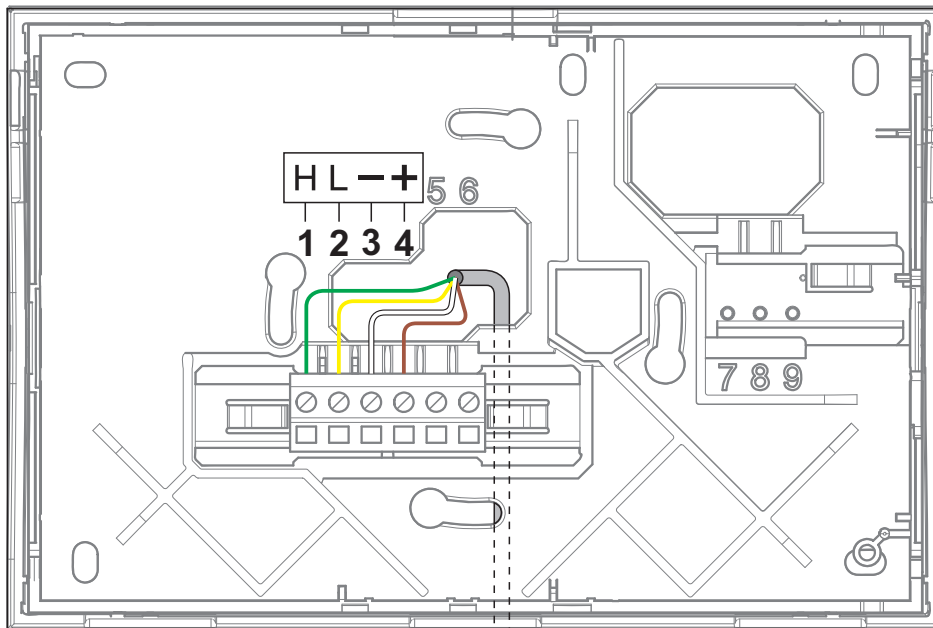
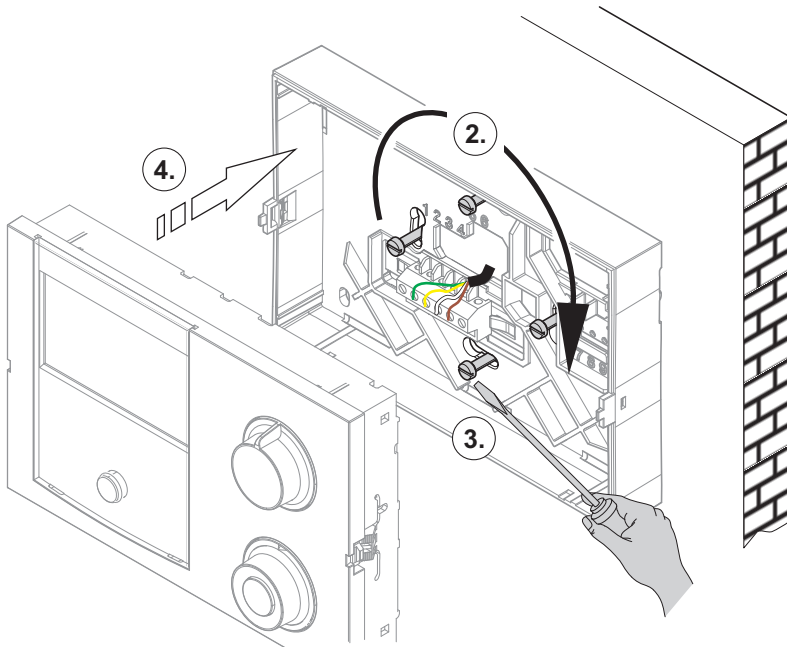


[RoCon U1]



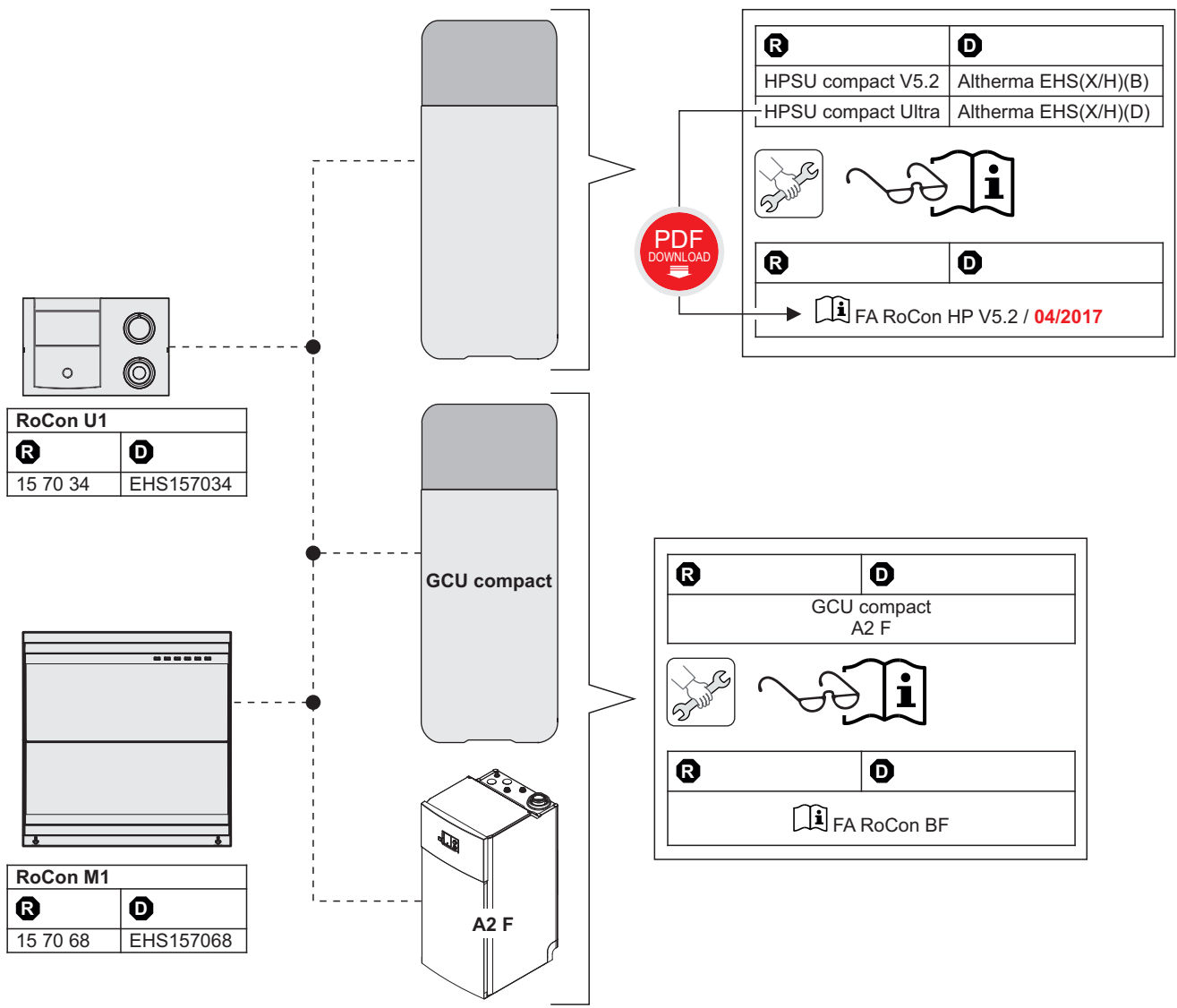


II





[RoCon U1]



www.rotex-heating.com
www.daikineurope.com



www.daikineurope.com
www.rotex-heating.com